

FireHawk[®] M7 HUD (Heads-Up Display)

MAINTENANCE AND REPAIR

For More Information, call 1-800-MSA-2222 or Visit Our Website at www.MSAnet.com



MINE SAFETY APPLIANCES COMPANY
PITTSBURGH, PENNSYLVANIA, U.S.A. 15230

FIREHAWK M7 HUD (HEADS-UP DISPLAY)

FireHawk M7 HUD Replacement Kits

FireHawk M7 HUD Mounting Bracket		
10083233	10083133	Mounting Bracket
FireHawk M7 HUD O-Ring Kit		
10090218	10084773	O-Ring (Pack of 10)
FireHawk M7 HUD Assembly w/o mounting bracket		
10091446	10084773	O-Ring
	10083132	HUD Assembly
	10087292	Warning tag
	10086580	Battery
FireHawk M7 HUD Assembly w/ mounting bracket		
10091447	10083133	Mounting Bracket
	10084773	O-Ring
	10083132	HUD Assembly
	10087292	Warning tag
	10086580	Battery

M7 Responder HUD Replacement Kits

M7 Responder HUD Mounting Bracket		
10095324	10082552	Mounting Bracket
M7 Responder HUD O-Ring Kit		
10090218	10084773	O-Ring (Pack of 10)
M7 Responder HUD Assembly w/o mounting bracket		
10093911	10084773	O-Ring
	10086013	HUD Assembly
	10087292	Warning tag
	10086580	Battery
M7 Responder HUD Assembly w/ mounting bracket		
10093912	10082552	Mounting Bracket
	10084773	O-Ring
	10086013	HUD Assembly
	10087292	Warning tag
	10086580	Battery

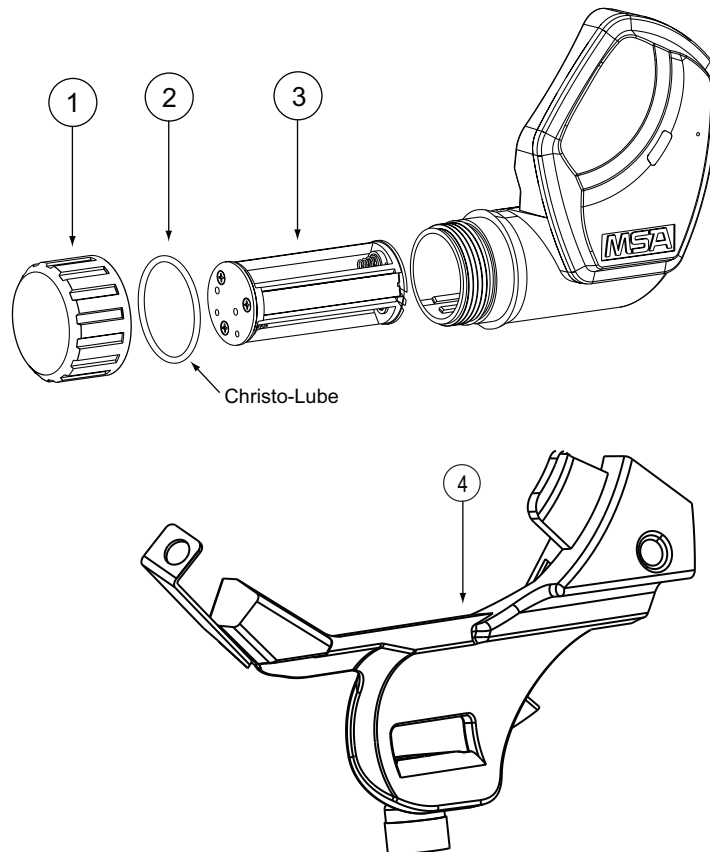
FireHawk M7 HUD Parts List

Item	P/N	Description
1	10081783	Battery Cap
2	10084773	O-ring
3	10083232	Battery Cartridge
4	10083133	Mounting Bracket

M7 Responder HUD Parts List

Item	P/N	Description
1	10081783	Battery Cap
2	10084773	O-ring
3	10083232	Battery Cartridge
4	10082552	Mounting Bracket

Exploded View



FIREHAWK M7 HUD (HEADS-UP DISPLAY)

Table of Contents

Inspection	3
O-Ring.....	3
Batteries.....	3
M7 HUD Receiver to the Mounting Bracket.....	4
Battery Disposal/Recycling.....	4

INSPECTION

1. Inspect the M7 HUD for cracks or other damage that could allow contaminants to enter the housing.
2. Ensure that moisture or debris is not present in the battery compartment.
3. Ensure the battery compartment o-ring on the battery cap is present and in good condition. Check for nicks, breaks, tackiness, or loss of elasticity. Replace as needed.
4. Reattach the M7 HUD to the facepiece bracket.

Replacing the O-Ring

P/N 10084773

1. Unscrew the battery cap.
2. Remove and discard the o-ring.
3. Apply a small amount of Christo-Lube to the o-ring.



4. Carefully slide the o-ring onto the HUD body.

Replacing Batteries

Install fresh batteries in the M7 HUD and M7 Power Module prior to storage of the Air Mask at cold temperature for an extended period.

▲ WARNING

Use only Rayovac 824 LR03, Rayovac, Ultrapro 4R03, Energizer E92, Energizer Industrial EN92, Duracell MN2400, or Duracell Procell MN2400 alkaline batteries in the M7 HUD. Use of other batteries, or a combination of batteries from different manufacturers, will affect the performance of unit and void the Intrinsic Safety Approval. Change the batteries in a non-hazardous area only. Failure to follow this warning can result in serious personal injury or death.

1. Unscrew the battery cap.



2. Remove the battery cartridge from the M7 HUD.

3. Remove the batteries and dispose of or recycle batteries in accordance with all applicable federal, state, and local regulations.
5. Inspect the battery cartridge for damage, cracks, corrosion on the terminals, or any condition that could impair its function. Replace as needed.



6. Insert three new AAA alkaline batteries with the negative pole at the spring.

7. Insert the battery cartridge into the battery tube.



Note: Align the key with the battery compartment rails. Do not force.

FIREHAWK M7 HUD (HEADS-UP DISPLAY)

8. Before installing the battery cap, inspect the o-ring. Screw the battery cap on to the battery tube of the M7 HUD. Hand tighten. Do not over tighten.
9. As the battery cap makes contact with the battery cartridge, verify that the M7 HUD display turns on and goes through its start up sequence before turning off.

Attaching the M7 HUD Receiver to the Mounting Bracket

Note: Assemble the M7 HUD Receiver to the mounting bracket before donning the air mask.

1. Align the metal tab on the M7 HUD with the metal plate on the front edge of the bracket.



2. Rotate the M7 HUD so that the tab fits into the slot behind the thumbscrew.



3. Finger tighten the thumbscrew.

⚠ CAUTION

DO NOT use a screwdriver to tighten the thumbscrew.

Battery Disposal/Recycling

⚠ WARNING

DO NOT dispose of the batteries in fire. They may explode. Failure to follow this warning can result in serious personal injury or death.